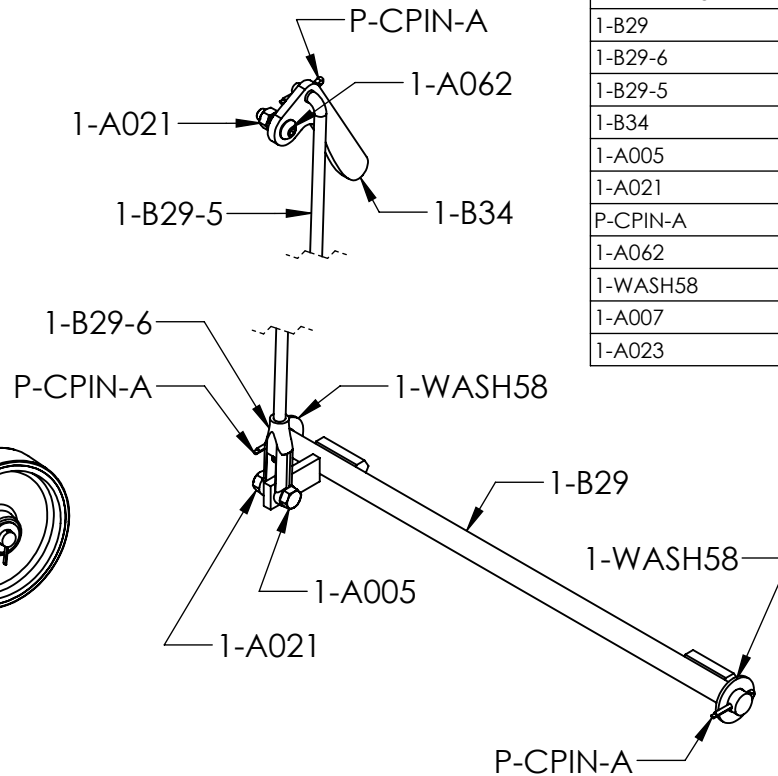
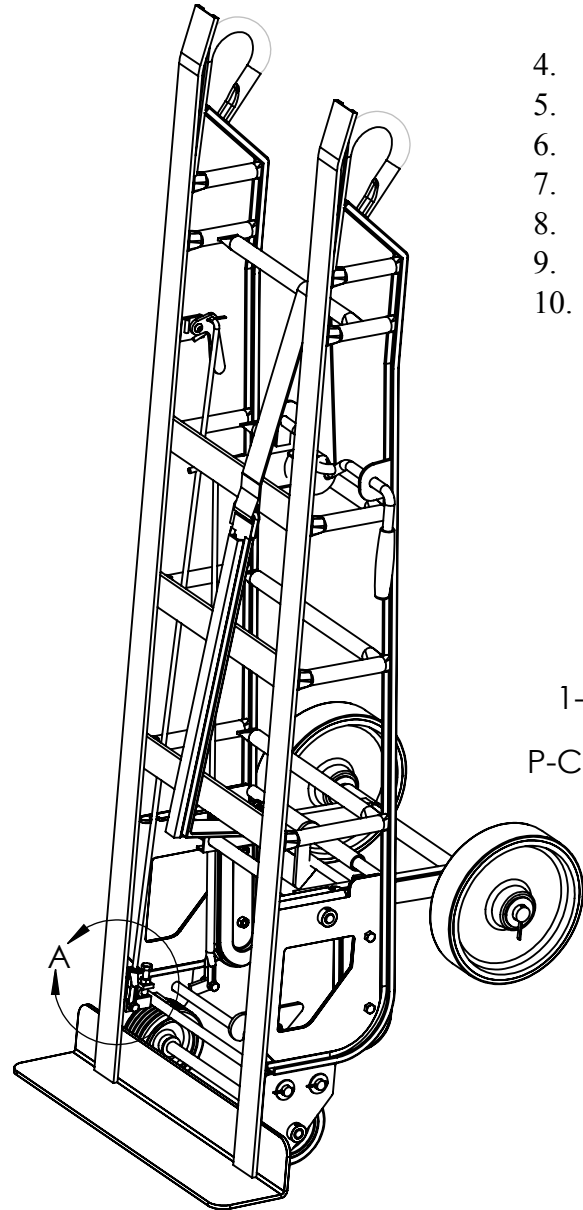
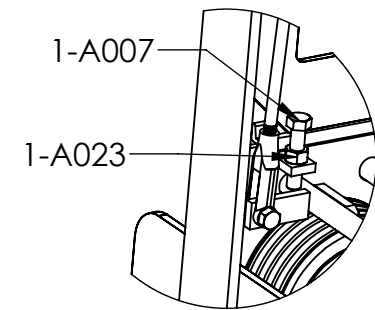


1800 BRAKE INSTALLATION INSTRUCTIONS

1. Uninstall the 5" wheels.
2. Install the brake (1-B29). Install using a washer and cotter pin on each end.
3. Install 1-A007 and 1-A023 in the lower threaded bracket. This makes the adjustable stop for the brake.
4. Attach the brake rod (1-B29-5) to the brake using the Yoke (1-B29-6) , 1-A005, and 1-A021.
5. Attach the brake rod (1-B29-5) to the brake handle (1-B34), using a cotter pin.
6. Attach the brake handle (1-B34) to the upper bracket with 1-A062 and 1-A021.
7. The brake is now installed.
8. Reinstall the 5" wheels.
9. You will need to spend a few moments adjusting the stop for the brake to work correctly.
10. Once the brake is adjusted, tighten 1-A023 to lock 1-A007 into place.



PART NUMBER	DESCRIPTION	QTY.
1-B29	WHEEL BRAKE ASSEMBLY	1
1-B29-6	PLASTIC YOKE	1
1-B29-5	BRAKE ROD	1
1-B34	BRAKE HANDLE	1
1-A005	5-16-18 X 1 HEX BOLT	1
1-A021	5/16-18 NUT	2
P-CPIN-A	COTTER PIN 1/8"	3
1-A062	5-16 - 18 X 1" SOCKET SCREW	1
1-WASH58	5/8 WASHER	2
1-A007	3/8-16 X 1.75 BOLT	1
1-A023	3/8-16 NUT	1



DETAIL A
SCALE 1 : 5

The brake supplied on Dutro Company's Brute trucks is only for breaking over the load when stopped on a level surface. It is not to be used as a brake for stopping, slowing or retaining the unloaded or loaded unit on either flat or sloped surfaces.